

<u>Required tools:</u> Phillips head screwdriver Needlenose pliers	<u>These tools/materials may be necessary:</u> Soldering iron 24 gauge jumper wire
--	--

WARNING!

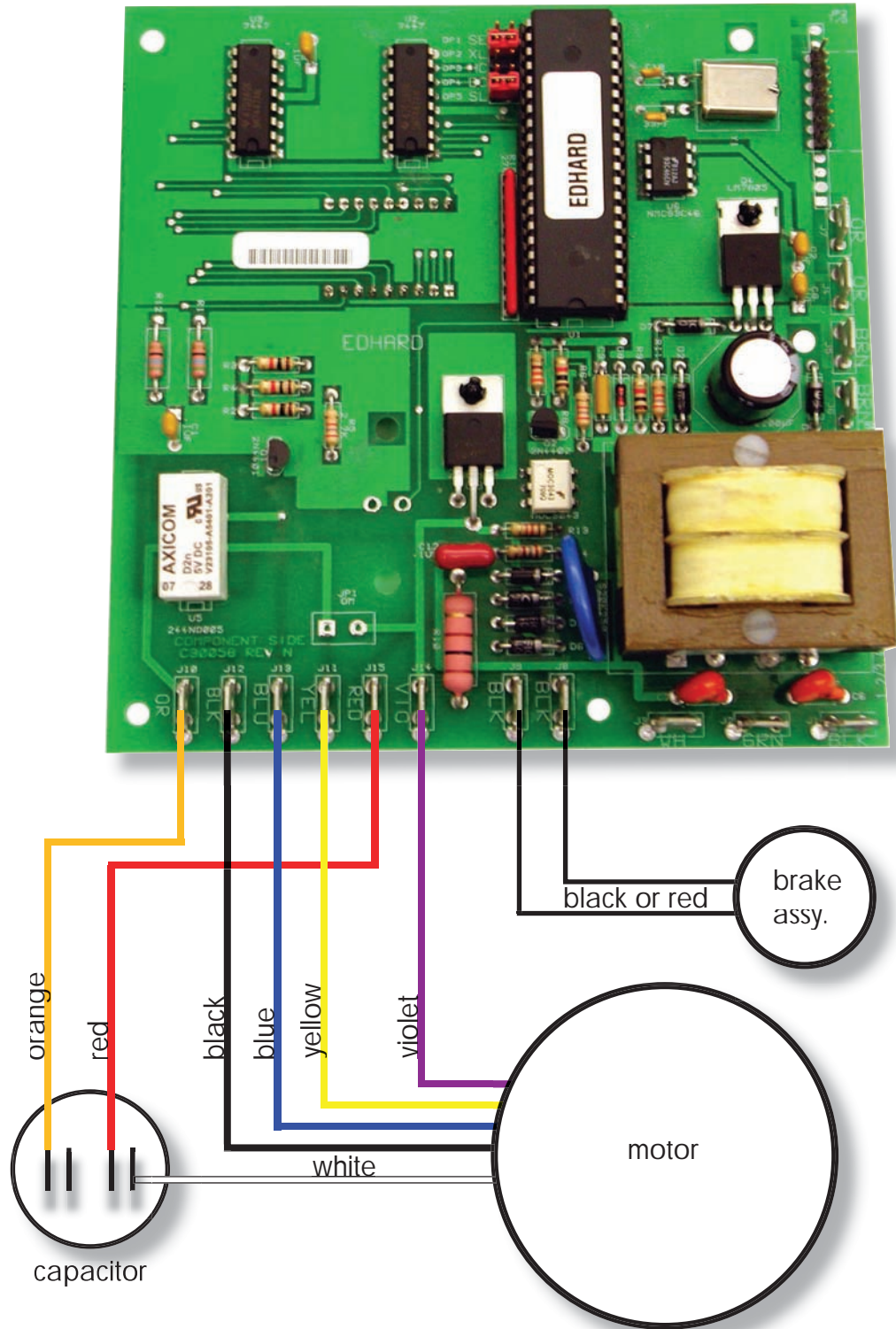
The enclosed timer board for Edhard Corp. power bases cannot be returned after the seal on the package has been broken. Installer assumes all responsibility for improperly installed or modified boards.

Please follow all instructions closely!
If you have any questions please call 888.edhard.1 or send an email to
tech@edhard.com

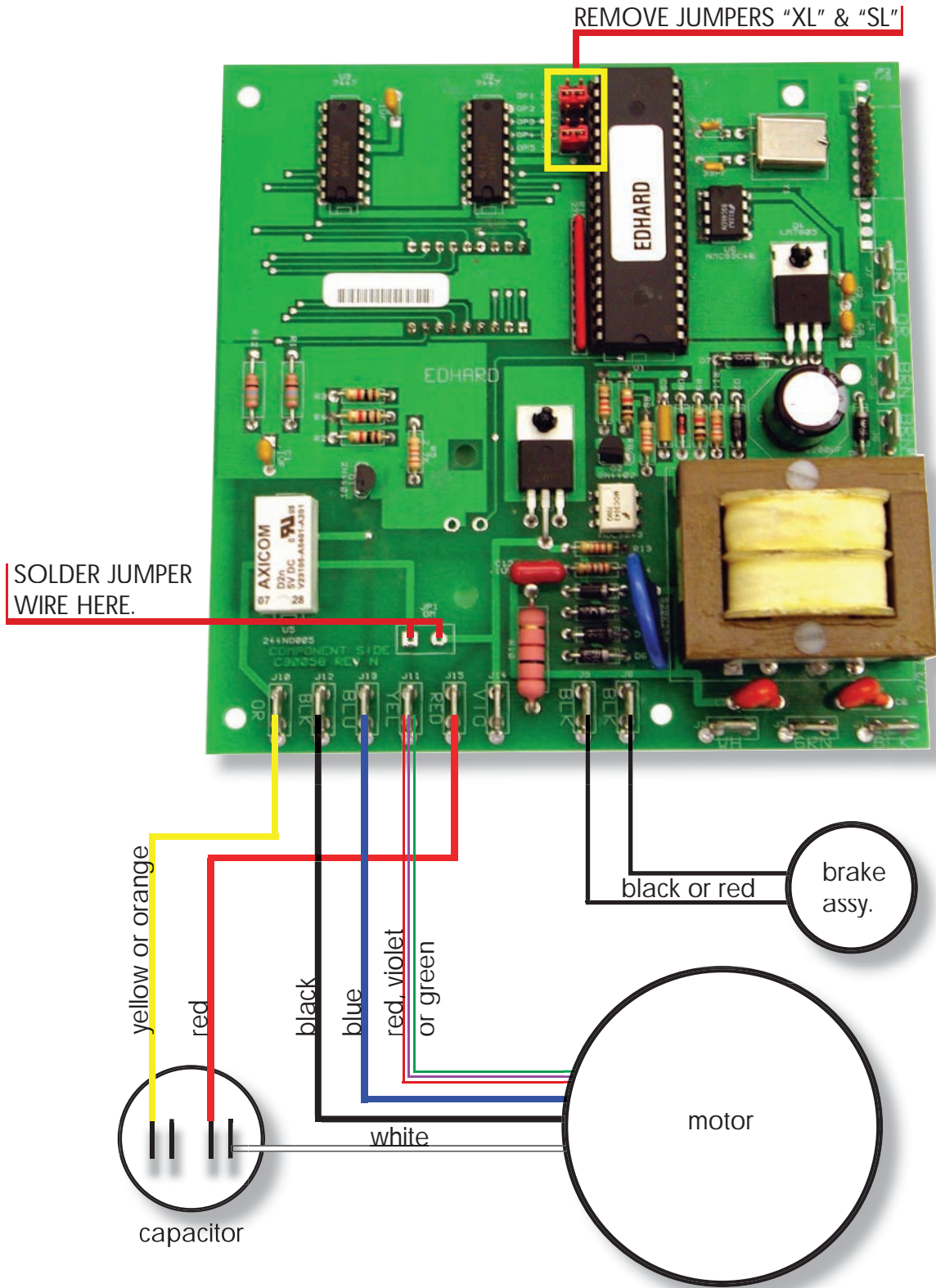
INSTRUCTIONS FOR INSTALLING TIMER BOARD:

1. MAKE SURE YOUR POWER BASE IS **UNPLUGGED!**
2. Determine what type of motor (4-wire, 5-wire, etc.) is in your power base. Follow all instructions for your type of motor.
3. Carefully disconnect all wires from old timer using needlenose pliers.
4. Remove screws from old timer and set them aside.
5. Make any necessary modifications to the new timer (SEE APPROPRIATE INSTRUCTIONS) **BEFORE** attaching new board to housing.
6. Attach new timer with original screws and reattach wiring as per the diagram that corresponds to your type of motor.

5-WIRE MOTOR



4-WIRE MOTOR



5-WIRE MOTOR w/ YELLOW WIRE CUT

